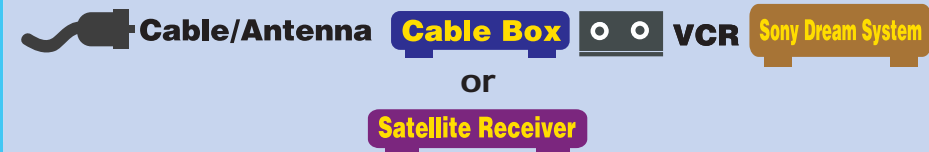
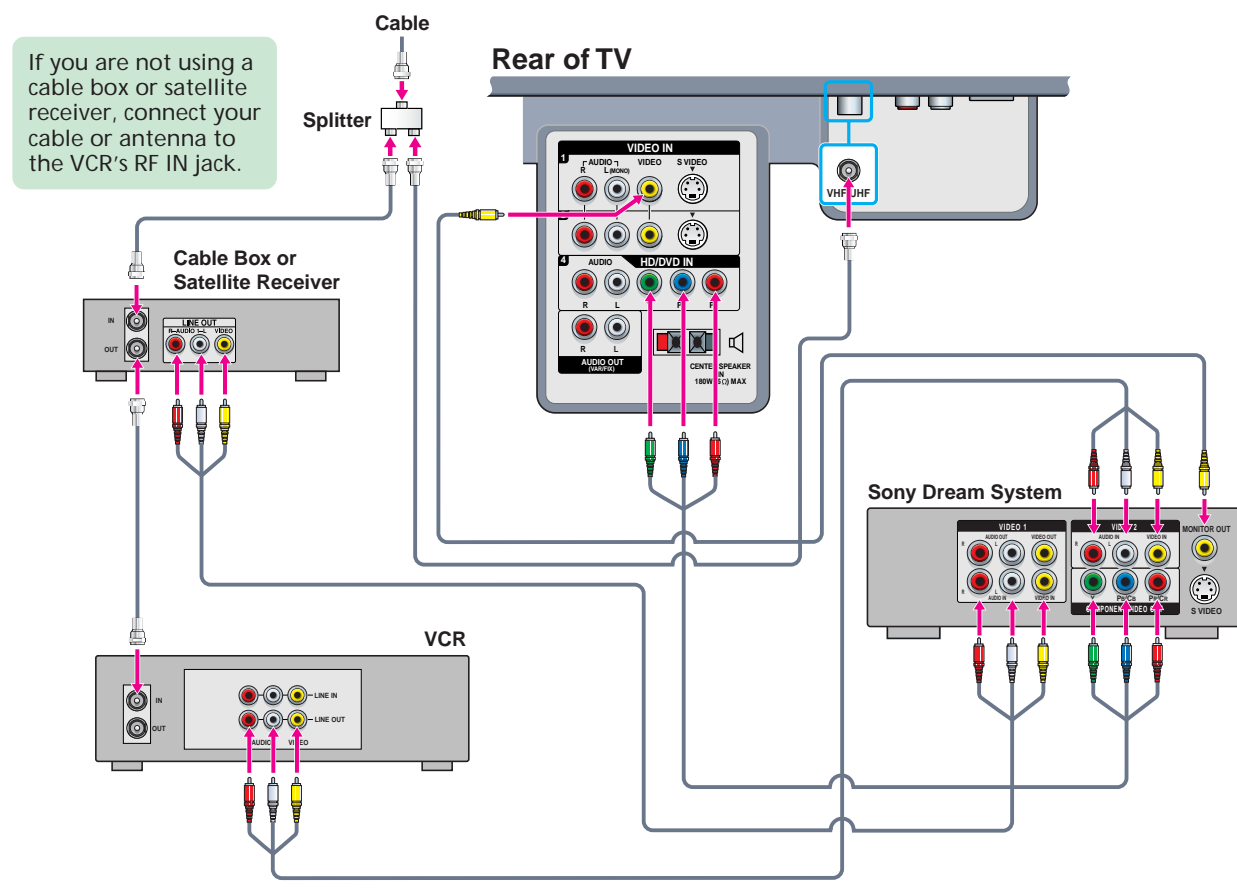


A

Use this diagram if you have;

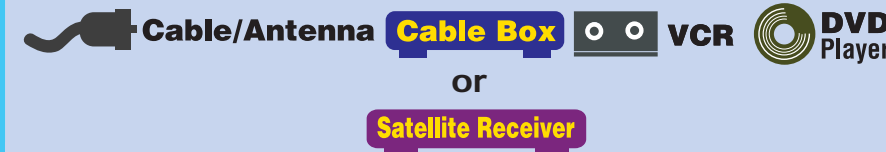


Cables Required	
Splitter	1
Coaxial	4
Composite	2
Composite (without Audio)	1
Component	1

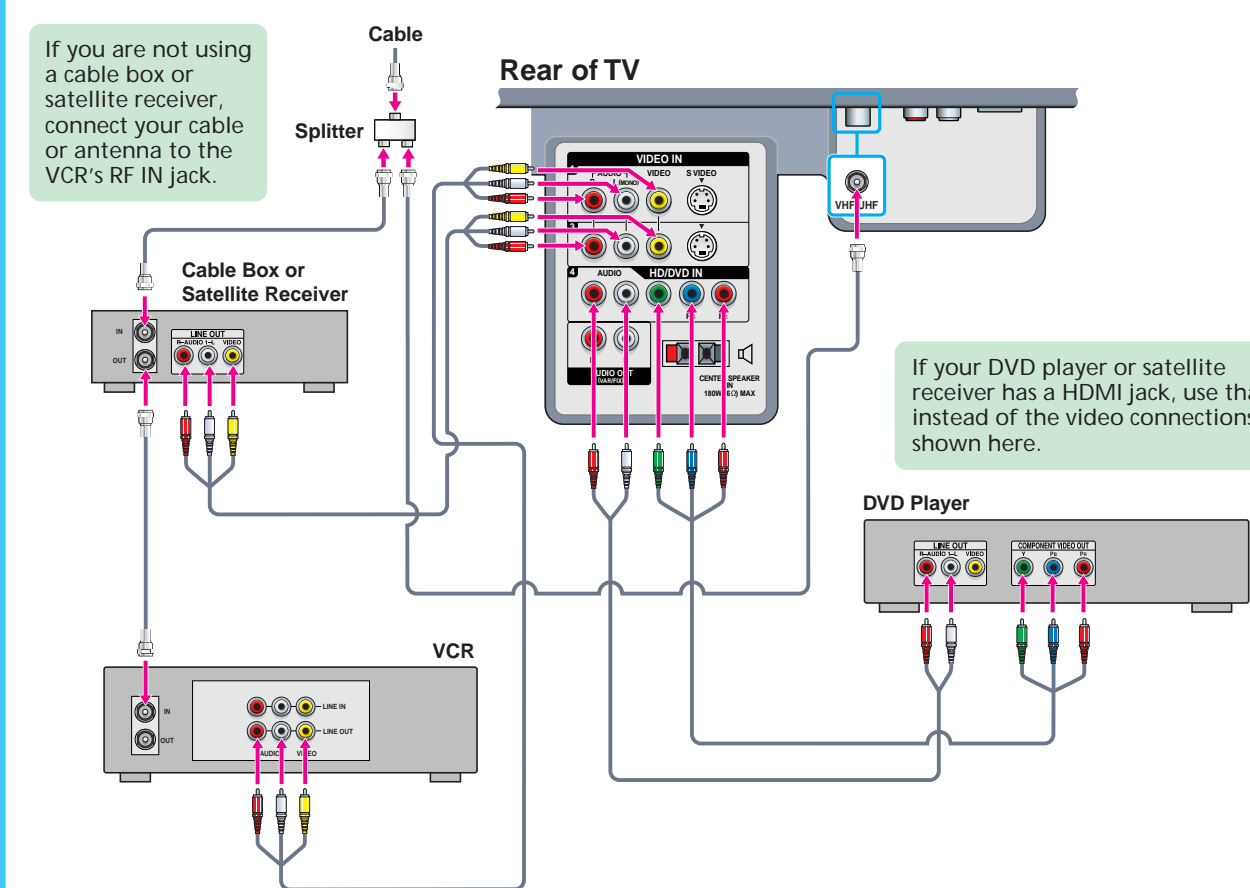


B

Use this diagram if you have;



Cables Required	
Splitter	1
Coaxial	4
Composite	2
Component	1
Audio	1

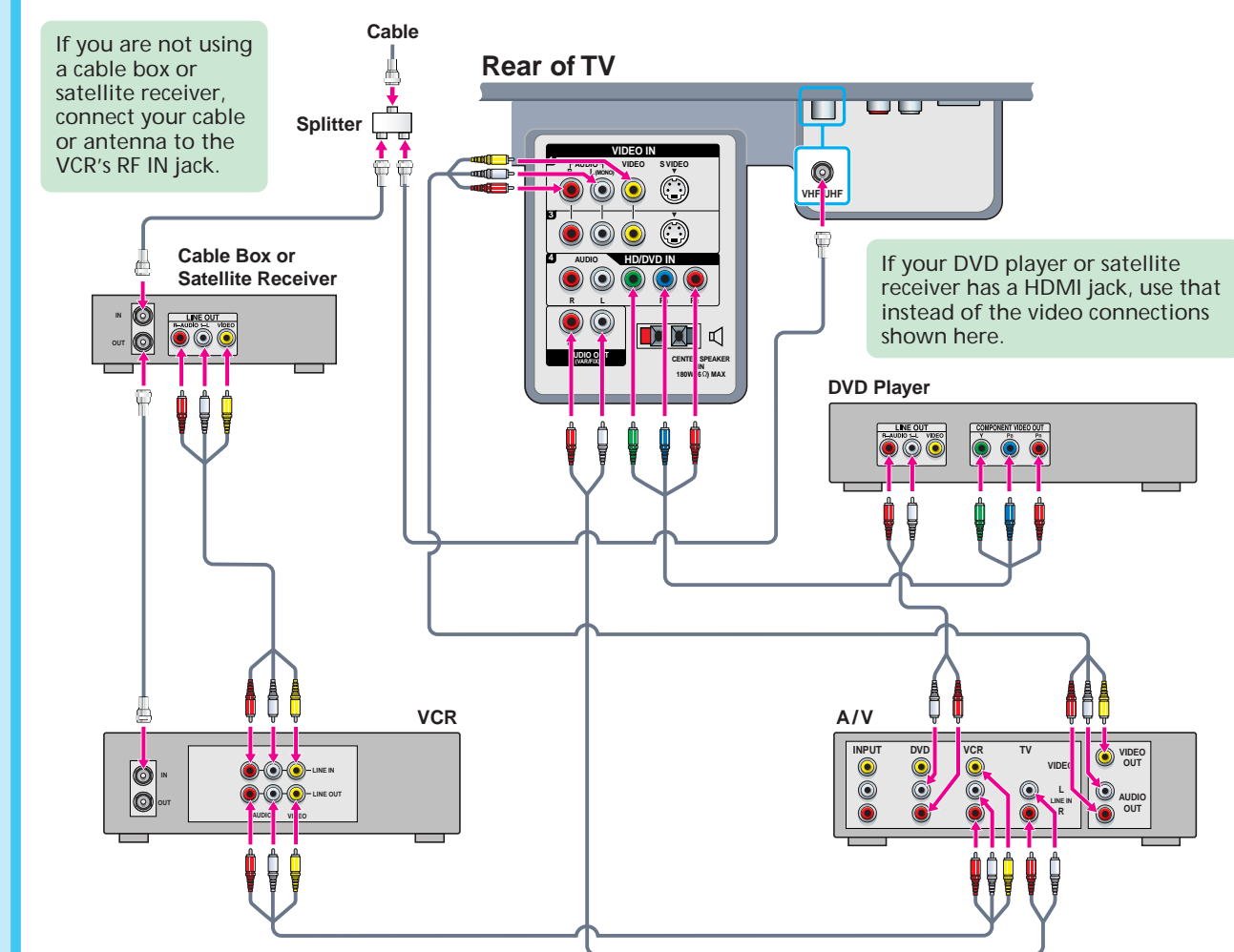


C

Use this diagram if you have;



Cables Required	
Splitter	1
Coaxial	4
Composite	3
Component	1
Audio	2

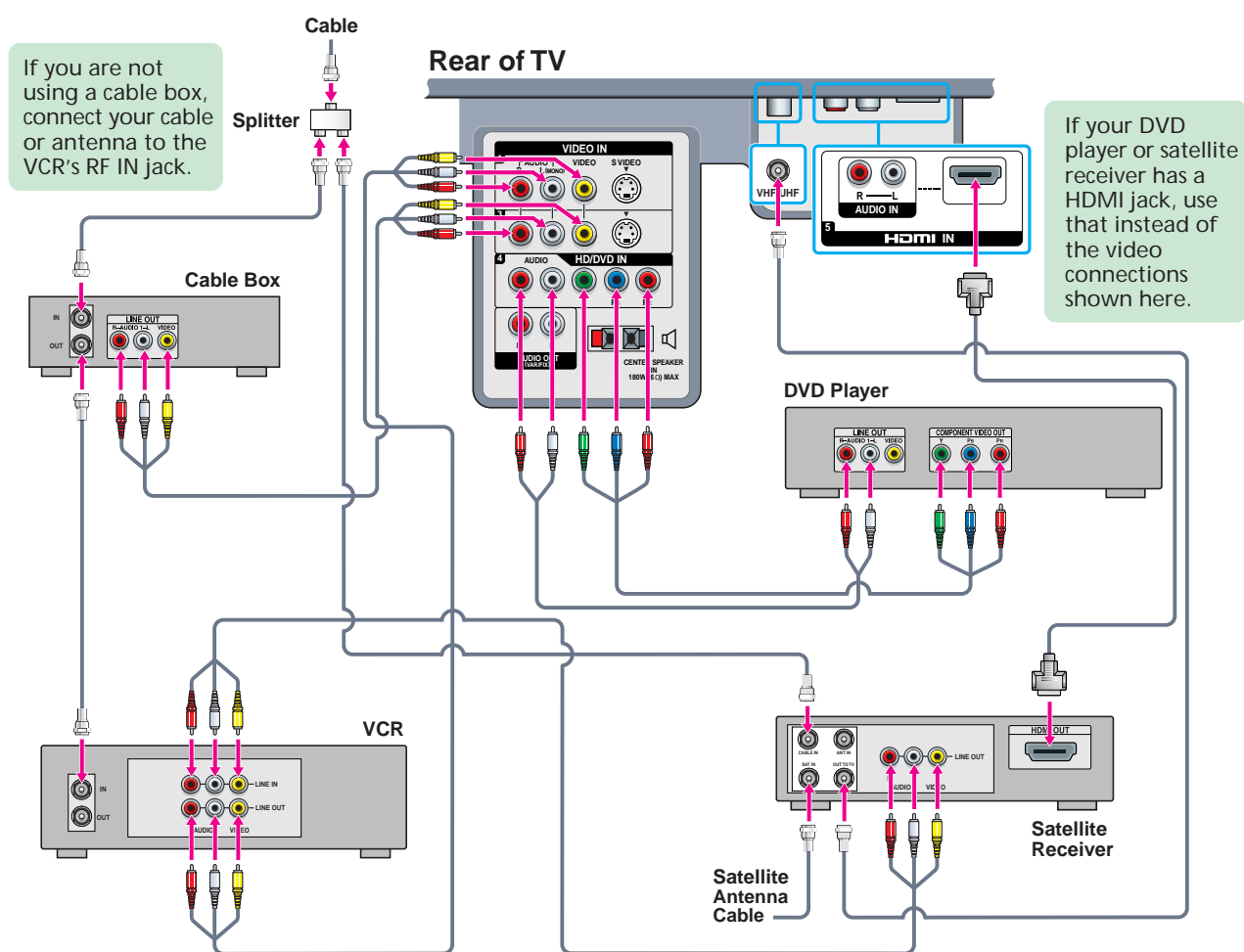


D

Use this diagram if you have;



Cables Required	
Splitter	1
Coaxial	6
Composite	3
Component	1
HDMI	1
Audio	1

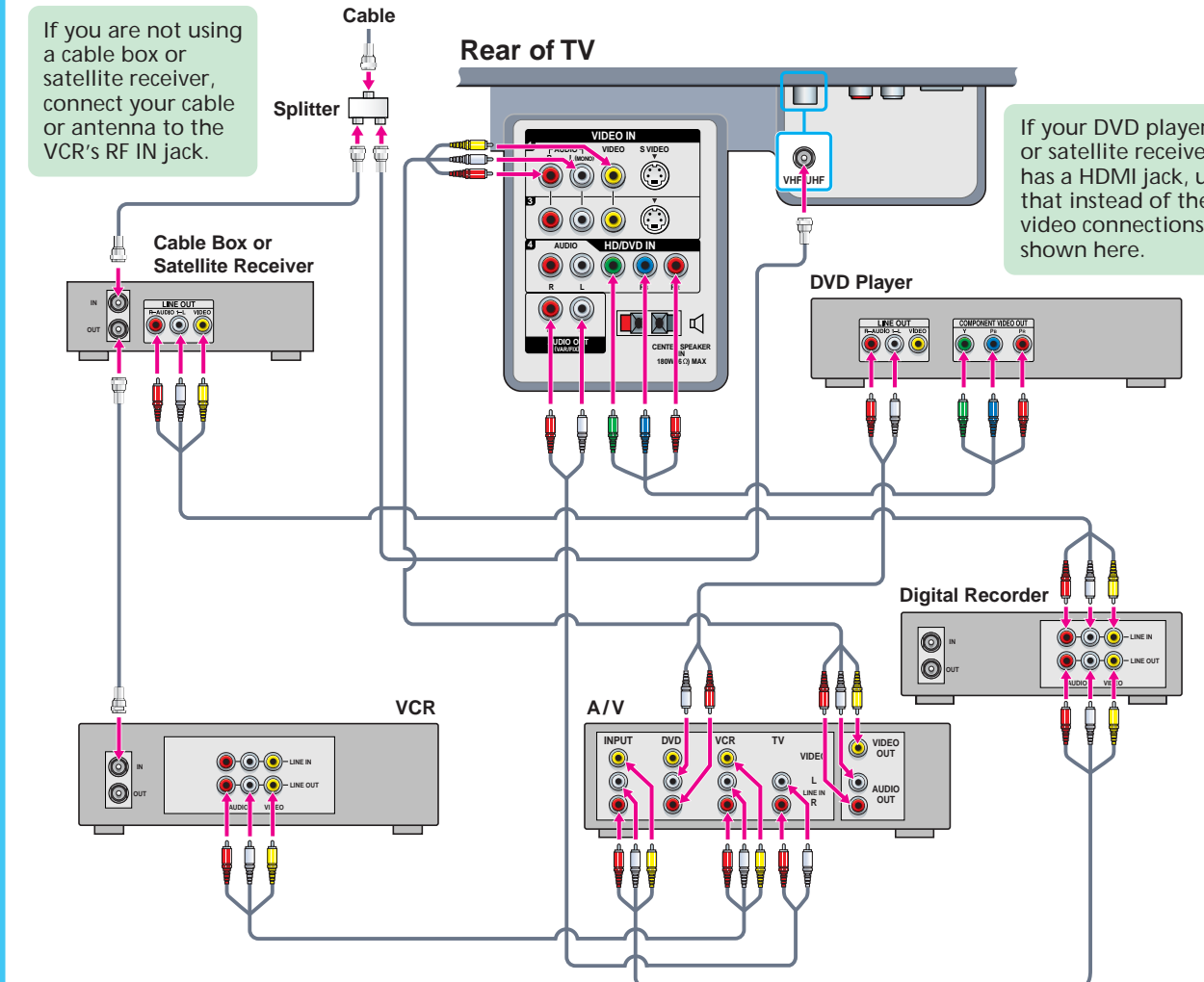


E

Use this diagram if you have;



Cables Required	
Splitter	1
Coaxial	4
Composite	4
Component	1
Audio	2



F

Use this diagram if you have;



Cables Required	
Splitter	1
Coaxial	4
Composite	2
Component	1
HDMI	1
Audio	1

